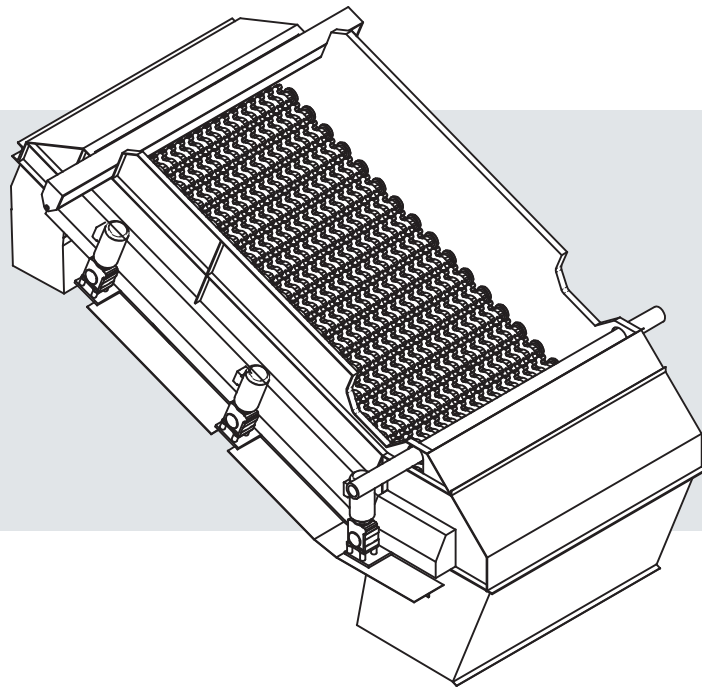


Technical information sheet

The ONP (Office Newspaper) screen is perfectly suited to separate various paper sizes from each other. The single ONP screen has 1 screening deck that is placed at an angle of between 38° and 45°. The screening deck is placed in its own steel construction. The paper flow is separated into 2 fractions as a result of the screening process. The standard screen sizes for a single ONP are A4 or A5.

Office Newspaper Screen



Screening deck

The ONP screening deck consists of various axles on which rubber stars have been mounted. The stars have a diameter of 330 mm. The deck has its own star setting depending on the screen size. The star axles are made of solid steel. The star axles can easily be replaced by means of the patented Lubo Quick Disconnect.

The screening deck's angle can be adjusted with a manual hydraulic pump. Electric-hydraulic angle adjustment is optional. The screening process can be adjusted by means of the combination of angle adjustment and/or frequency regulation of the motor speed.

The screen's drive is made of high quality materials. Standard, the Lubo star screen is driven by 5.5 kW SEW motor reducers. The motors have electro-magnetic brakes. The adjacent star axles are driven by means of chains and sprockets. The speed of the screening deck is variable due to the use of frequency regulators. You can set the screen size by adjusting the speed.

The screen will be delivered with the following fittings

- Emergency stop pull switches mounted on top of the side plating of the screen.
- The screen is supported on an open steel construction.
- An overflow on the exit side of the screen with a plate thickness of 4 mm.
- An overflow on the drop side of the screen with a plate thickness of 4 mm.

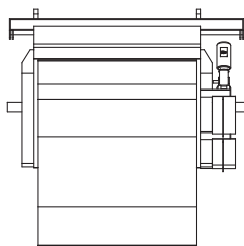
Options as per your request

- A crane gantry (hoist not included).
- The angle of the screen can be adjusted electric-hydraulically, 1.3 kW (1.75 HP).
- A maintenance platform on both sides of the screen equipped with a railing, which can be reached by a cage ladder.
- A working switch with feedback to the switchbox to make the motors tension free.
- The screen can be fitted with raised side plates.

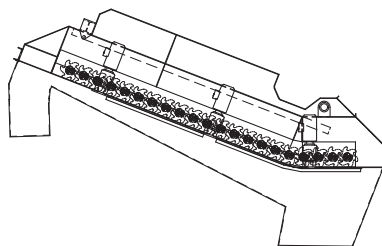
Specifications

Type ONP screen 2,040 x 5,900

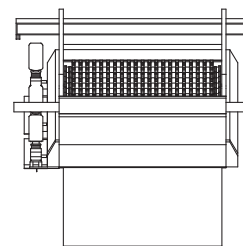
Screen size	DIN A4 or DIN A5 (Standard setting)
Screen angle	Adjustable between 38° and 45°
Star diameter	330 mm, Lubo stars
Quick Disconnect	Included
Drive	3 x 5.5 kW (7.5 HP)
Degree of protection	IP-65
Return brake	the motors are equipped with an electromagnetic return brake.



front view



side view



back view

Lubo Systems b.v.

Phileas Foggstraat 85, 7825 AW Emmen, The Netherlands
Tel: +31 (0)591 66 80 80, Fax: +31 (0)591 66 80 88
info@lubo.nl, www.lubo.nl