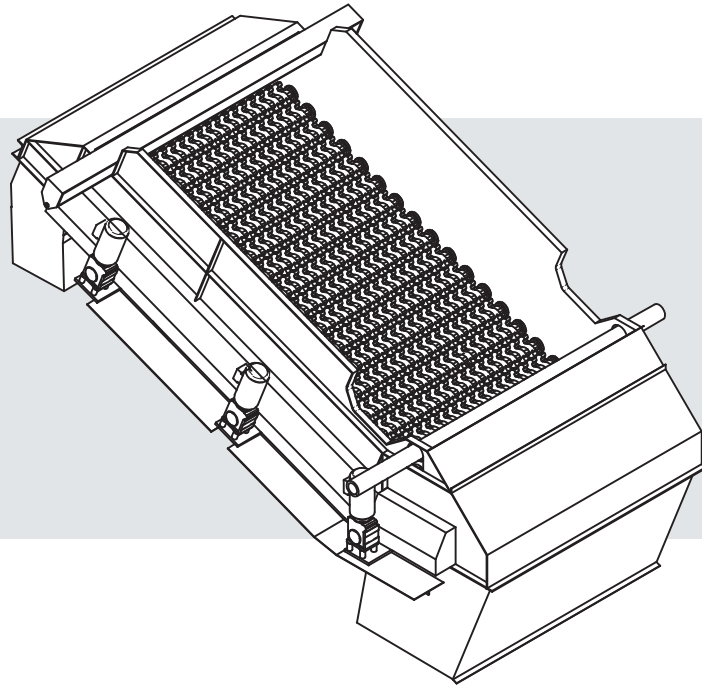


# Technical information sheet

The Comingled Screen is perfectly suited to separate paper, tin cans and glass.

## Comingled Screen



### Screening deck

The screen has 1 screening deck placed at an angle between 38° and 48°. Bottles, cans and other round objects will roll back down because of the steep angle of the deck. The screening deck screens for 50 mm. Glass and other small material is screened out. The paper is carried upwards. The screening deck is placed in a steel construction of its own.

In order to reinforce the separation rate, Lubo advises the use of air support. The airflow will reinforce the upward movement. This increases capacity. The round parts will roll back.

### Star deck

The star deck has different shafts with rubber stars with a diameter of 330 mm. The star shafts are made of solid steel and can easily be replaced by using the patented Lubo Quick Disconnect system. The screening deck's angle can be adjusted with a manual hydraulic pump. Electro-hydraulic angle adjustment is optional.

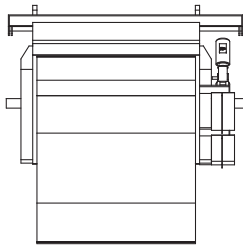
The materials used for the drive system are of high quality. The Lubo star screen is standard driven by 4x 5.5 kW (7.5 HP) SEW motor reducers. The motors are equipped with electromagnetic brakes. The adjacent star shafts are driven by means of chains and sprockets. The speed of the star deck is variable due to the use of frequency regulators. You can set the screen size by adjusting the speed.

## The screen will be delivered with the following fittings

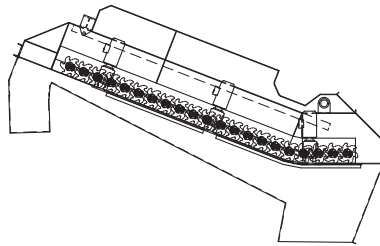
- 2 Emergency stop pull switches mounted on top of the side plating of the screen.
- The screen is supported on an open steel construction.
- An overflow on the exit side of the screen with a plate thickness of 4 mm.
- An overflow on the drop side of the screen with a plate thickness of 4 mm.
- An overflow at the rear of the screen with a plate thickness of 4 mm.

## Options as per your request

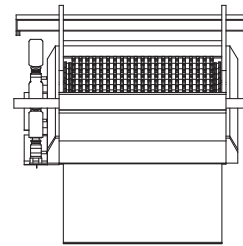
- A crane gantry (hoist not included).
- The angle of the screen can be adjusted electric-hydraulically, 1.3 kW (1.75 HP).
- A maintenance platform on both sides of the screen equipped with a railing, which can be reached by a cage ladder.
- Working switch with feedback to the switch box to make the motors tension free.
- The screen can be fitted with raised side plates.
- The screen can be equipped with air support, 7.5 kW (10 HP).



front view



side view



back view

## Lubo Systems b.v.

Phileas Foggstraat 85, 7825 AW Emmen, The Netherlands  
Tel: +31 (0)591 66 80 80, Fax: +31 (0)591 66 80 88  
info@lubo.nl, www.lubo.nl